

5M



JOHN DEERE

NOTHING RUNS LIKE A DEERE

PASSION FOR FARMING





Meet the 5M, your ultimate farming companion for everything you do. Compact and light yet powerful, it excels in manoeuvrability and brings top-notch loader skills to your farm. Its panoramic cab delivers exceptional views, while fingertip shifting ensures smooth road travel. In the field, the Powr8™ transmission with 8 powershiftable gears provides plenty of seamless power, and AutoTrac™ guarantees no overlaps to keep you on an efficient path to achievement.

CONTENTS

Overview4

Comfortable Cab6

Engines.....8

Transmissions.....10

Front loaders.....12

Smart Farming Solutions14

Hydraulics, hitches, PTO16

Maintenance.....18

Specifications20

DONE FASTER, DONE RIGHT.

OVERVIEW

As the relentless evolution of the 5M Series continues, our focus remains on its uncompromising versatility. With precision and efficiency, these compact and light front-loader powerhouses are ready for any challenge in the most demanding terrain and the heaviest loads.

1 | SHIFTING UNDER LOAD

Our optional Powr8™ transmission gives you eight power-shiftable gears. All of our transmissions including PowerQuad™ Plus or PowrReverser™ come with hand de-clutch functionality, and an optional creeper.

2 | INTEGRATED AUTOTRAC™

Level up your efficiency and comfort by letting our hands-free, GPS-guided automated steering system find the optimal path while you focus on other critical tasks.

3 | COMPACT AND LIGHT

At 4.4 t of base machine weight and a tight turning radius of only 4 metres, the 5M is as agile as tractors in this class can get.

4 | PLENTY OF POWER

At 134 HP max and 541 Nm torque, the 4.5 l John Deere PowerTech™ Plus engine produces extraordinary power density for the light-weight 5M.

5 | TOTAL PRODUCTIVITY

For more productivity with bigger implements, the 5M puts up strong numbers: up to 5.7 t lift capacity at ball ends, payload of up to 3.8 tons.

6 | MUSCULAR HYDRAULICS

Finish multiple tasks in one pass, thanks to our open centre hydraulic system with a generous oil flow of up to 73 l/min.

7 | LOADER READY

Optionally, you can get the 5M ready for our 543M/R Series or 603M/R Series loaders to allow you to tackle a huge array of additional jobs fast and effectively.





Boasting ample room and comfort, superior ergonomics, and a fantastic panoramic view, the 5M cab redefines its class. The open station variant* provides equal comfort and ergonomic excellence.

8 | WORK COMFORTABLY

Plenty to enjoy here: air-suspended heated seat, air conditioning, multiple storage compartments. Also available as an open-operator station.

9 | SEE EVERYTHING

Enjoy perfect panorama roof visibility when working with a front loader, and keep working in low visibility thanks to powerful LED headlights and worklights as part of the full LED light package.

10 | UPTIME INCLUDED

With Expert Alerts, your John Deere dealer can identify potential machine issues and fix them before they become a problem. Welcome to Connected Support™.

*not available for 5075M and 5130M

RELISH THE RIDE

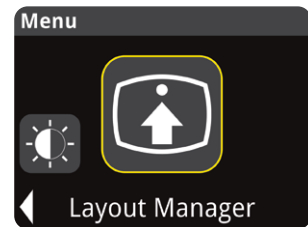
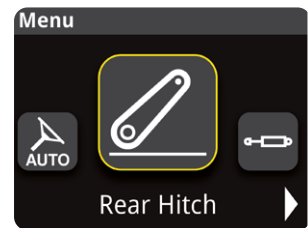
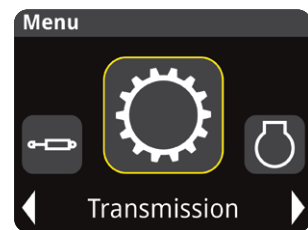
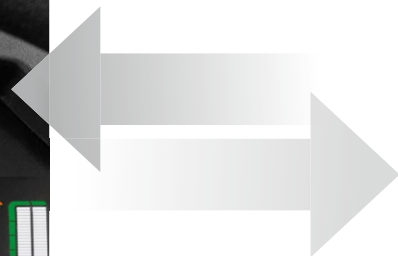
COMFORTABLE CAB

When you slide into the easy-access 5M cab, you feel it right away: There's plenty of room to get comfortable, and it's surprisingly quiet inside. All controls and instruments are ergonomically laid out for intuitive and effortless tractor operation. Enjoy your workday.



SEE EVERYTHING, DO IT ALL

Re-configurable in-dash display: 3 LCDs, one customizable. Manage display & tractor functions, guidance lines, on-the-go adjustments, headlands, and more with console buttons (PowerQuad™, Power8™ only).





1 | AUTOTRAC ACTIVATION

Conveniently activate AutoTrac while your hand is at the electronic hitch control.

2 | FRONT VISIBILITY

Enjoy an unobstructed view to the front through the sloping bonnet and corner post exhaust.

3 | SHIFTING EASE

Smooth and effortless gear shifting with one hand – footless de-clutch functionality.

4 | LOADER JOYSTICK

Enjoy ergonomic, precision loader control with reverser buttons conveniently located on the joystick.

5 | E-HAND THROTTLE

Very precise engine speed adjustment to quickly and accurately attain and control the desired speed.

6 | ERGONOMIC POWERSHIFT™

Enjoy ergonomically positioned fingertip powershift controls on the right-hand console.

BUILT FOR YOUR FARM

ENGINES

The performance requirements for agricultural engines are unique and unforgiving. There's no room for compromises. That's why we build our own – fully optimised for agricultural applications.

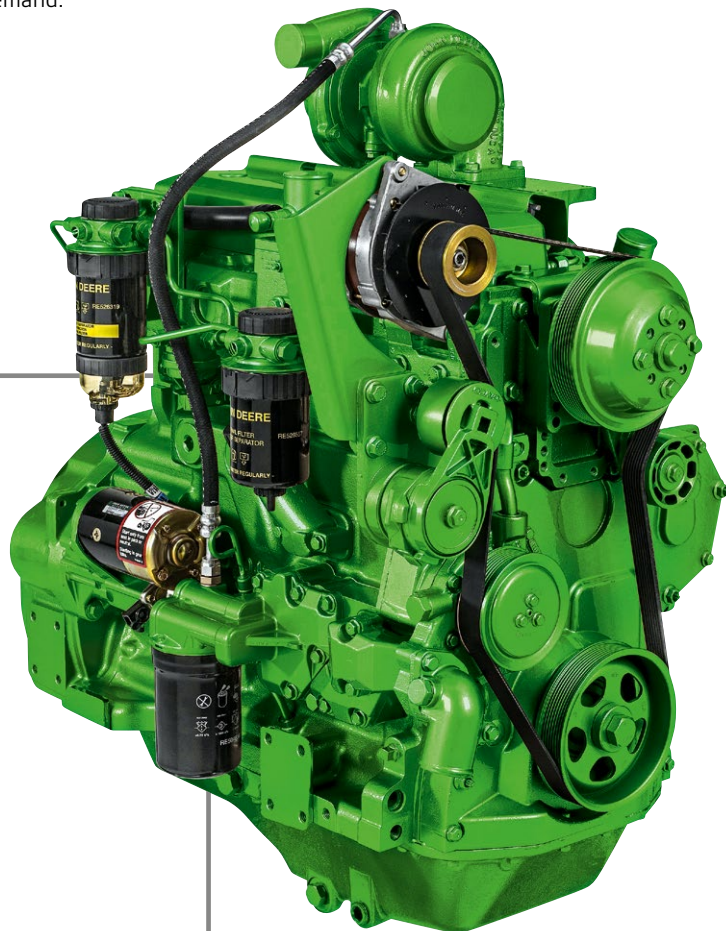
When serious muscle meets optimal fuel economy, low DEF consumption, and maintenance-free after-treatment systems, you know your tractor engine was built by the folks who understand the performance you and your farm demand. Every 5M engine is proof of that.

5M MODELS (MAX POWER 97/68/EC)		
5130M	135 hp (99.9kW)	4-cyl.
5120M	125 hp (92.1kW)	4-cyl.
5105M	110 hp (81kW)	4-cyl.
5095M	100 hp (73.7kW)	4-cyl.
5075M	75 hp (55kW)	3-cyl.

Mowing grass? Clearing snow? Pulling tillage equipment? And a lot more? The 5M is ready for your day – in five horsepower options.

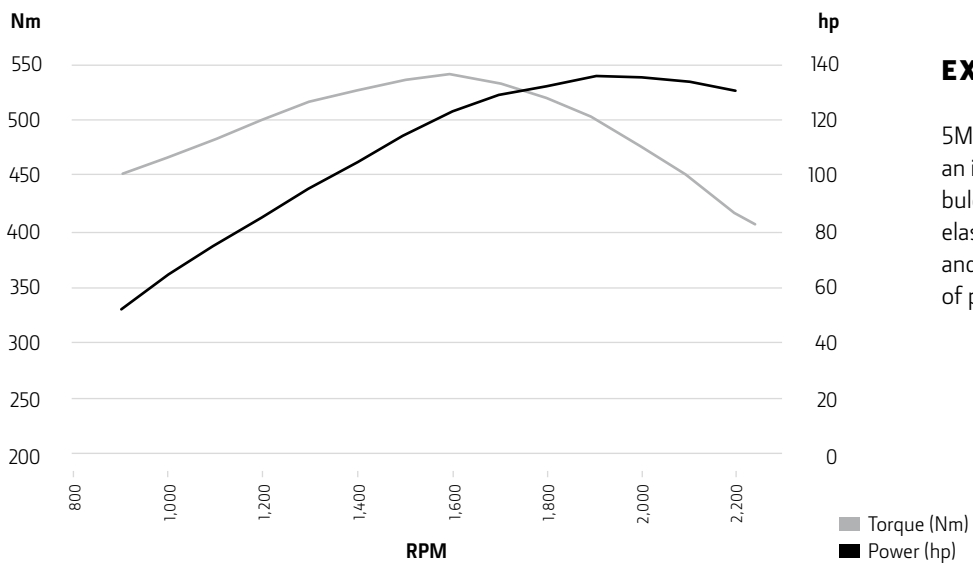
CLEAN AND POWERFUL

Our PowerTech™ turbocharged diesel engines meet stringent Stage V emission requirements. Experience the responsive power and torque reserves to pull heavy loads and handle any field conditions.





5130M



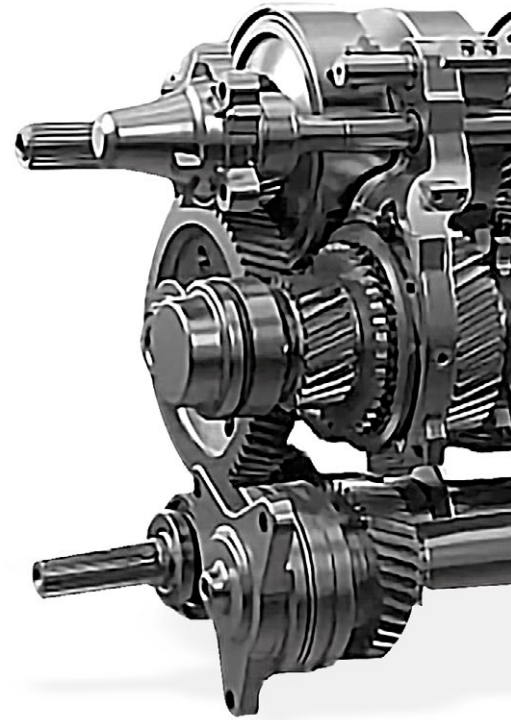
EXTRA POWER

5M 4 cyl. models provide an increased power bulge of 4% for higher elasticity, responsiveness and a wider range of power.

PERFORMANCE UPGRADE

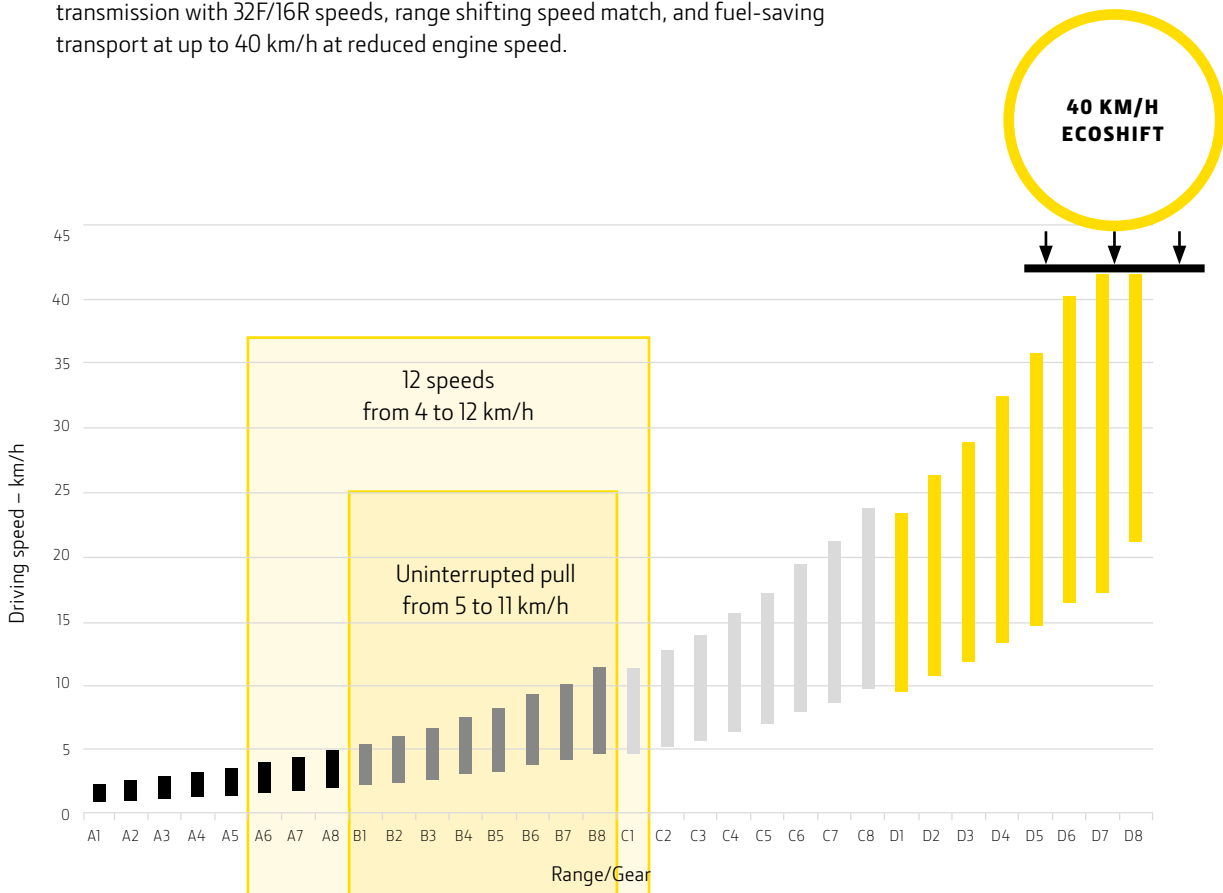
TRANSMISSIONS

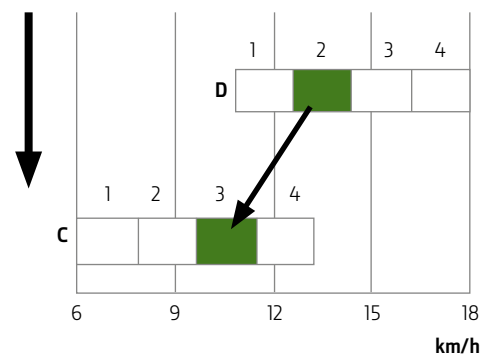
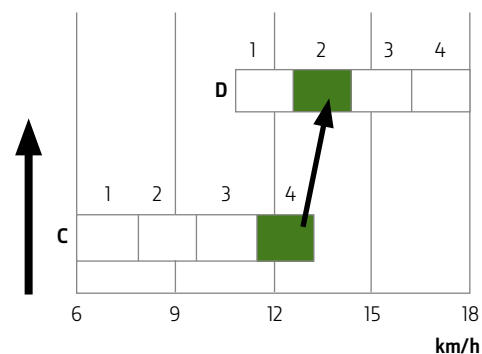
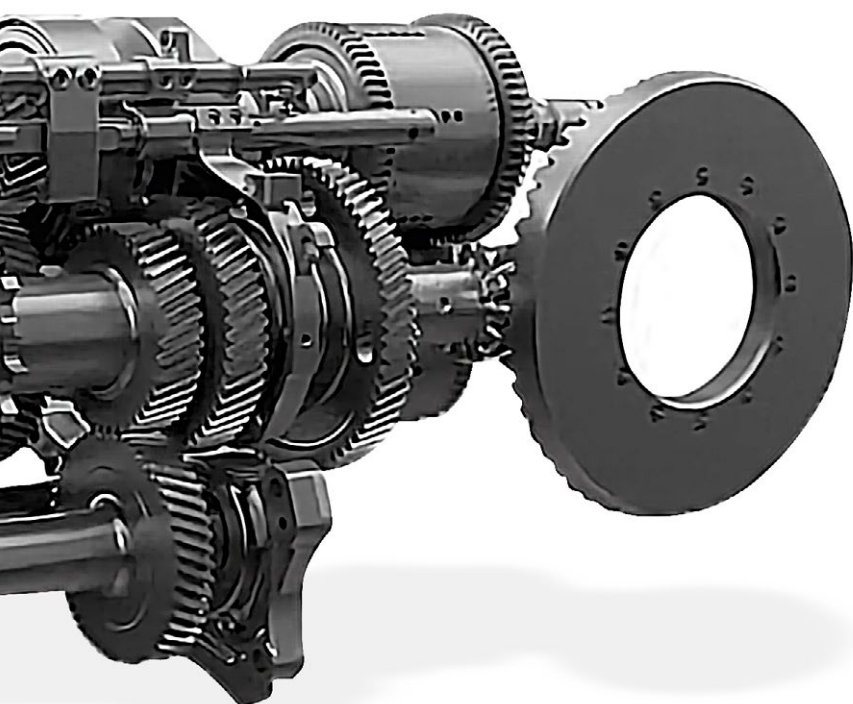
In addition to our PowerReverser™ and PowerReverser™ HiLo, our line-up for the 5M now includes our PowerQuad™ Plus and the Powr8™ transmission with four and eight powershiftable gears - unique in this tractor class. Effortlessly switch directions without manually clutching or braking, and shift on the go and under load with fully synchronized ranges and gears.



GREAT MATCH: 5M AND POWR8™

To complement the power and torque of the 5M, we're offering our Powr8™ transmission with 32F/16R speeds, range shifting speed match, and fuel-saving transport at up to 40 km/h at reduced engine speed.



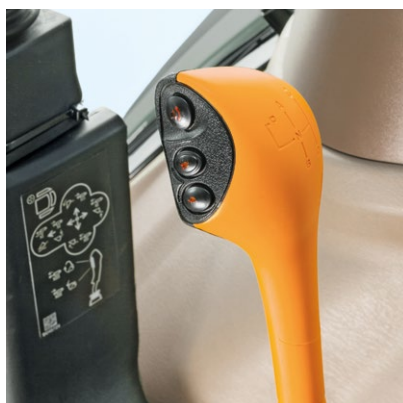


Speedmatch ensures that when you're shifting range with a Powr8™ or PowerQuad™, the transmission always selects the best gear to match the tractor's forward speed.



POWR8™

With eight powershiftable gears, our Powr8™ transmission delivers uninterrupted pulling power. Your 32F/16R speeds are on a single shift lever for push-button up/downshifting, as are range changes without foot clutching.



POWRQUAD™ PLUS

Ideal for baling, loader work, tillage, and frequent transport, the PowrQuad™ Plus's single range shift lever is all you need to get the job done in 16 forward and 16 reverse speeds (16F/16R). Enjoy effortless push-button up and downshifting and change ranges without foot clutching.



POWRREVERSER™

Frequent direction changes, like loader work? You'll love the practical PowrReverser™. And for more straightforward tasks, which don't require frequent shifting, the two-lever shift strategy of the PowrReverser™ transmission works great!

JUST MOVE IT

FRONT LOADERS

A John Deere Front Loader is the ideal companion for your 5M tractor. Built to master tight turns and heavy loads for hungry cows without breaking a sweat, these robust loaders are made of the same stuff as our 5M. With the low hood and our streamlined boom design, you'll always have a clear view of your surroundings. Discover the perfect loader for your needs right here.



M SERIES LOADERS

The versatile and affordable M loaders are ideal for all standard front loader tasks such as collecting bales, feeding cattle and moving pallets.



R SERIES LOADERS

If you need extra lift capacity, perform heavy-duty operations, or if you're looking for even better visibility, enhanced comfort and performance, our R Series loader will be best for you.



TRACTOR/LOADER COMPATIBILITY

Two M and R Loader models are available for the 5M tractors.

	543M	603M	543R	543R	603R	603R
	MSL	MSL	NSL	MSL	NSL	MSL
Lift capacity @ full height / measured @ 800 mm ahead of pivot kg (lb)	1451 (3199)	1633 (3600)	1335 (2943)	1712 (3774)	1489 (3238)	1808 (3986)



CLICK AND GO

Mounting our front loaders could not be quicker or more convenient thanks to the self-correcting floating system of the built-in automatic mast latch. Separation is just as easy.

JOYSTICK WITH GEARSHIFT BUTTONS

Easily the most comfortable way to operate a front loader: simply change PowerShift™ Gears right on the joystick.

SEE IT ALL

The design of our loaders is optimised for exceptional visibility when you connect your implements and of course during loader operation.

WORK ANYWHERE

The 5M's 4-metre turning radius will have you navigating the tightest spaces with effortless ease.

OWN THE FUTURE

SMART FARMING SOLUTIONS

Future-proof your business and own a tractor that retains its value for years. The 5M lets you access up-to-date precision agriculture tech like AutoTrac™ and comes with time-saving ISOBUS documentation skills.



PRECISION PAYS

Significant productivity gains are on the horizon for you with the integrated AutoTrac™ steering system. Expect reduced operating costs, improved working efficiency and more operator comfort at a very attractive price point. Conveniently located in the dashboard, integrated AutoTrac™ comes with our well-proven StarFire™ receiver, including our SF1 differential correction signal with 15 cm accuracy and is perfect for navigating straight tracks with total precision. You can save up to 10 A-B lines in the system.



Integrated AutoTrac™ leverages the in-dash display



AIM HIGHER: AUTOTRAC™ COMPLETE

Looking for an upgrade? Consider AutoTrac™ complete. This comprehensive option offers the full spectrum of John Deere's state-of-the-art guidance solutions. In addition to the features provided by the integrated option, AutoTrac™ complete includes the additional G5™ display and enables curve and circle tracks, allows for managing guidance lines via the John Deere Operations Center™, and includes many more innovative features to streamline your operations.*

UPTIME ON BOARD

Previously found only in larger tractors, the 5M's Expert Alerts technology allows your John Deere dealer to identify and fix potential technical issues before they cause problems.

UPTIME FORMULA

John Deere Connected Support™ combines machine connectivity, innovative tools and proactive dealer support to ensure your machines are available all season at peak performance.



*Machine must be equipped with a G5™, Generation 4 or Universal Display (with minimum SU20-3 Software), StarFire™ 3000/6000/7000 receiver, JDLink™ Connect active subscription and a John Deere Operations Center™ account. If not already equipped with a MTG 4G a retrofit is required.

PRODUCTIVITY AND FLEXIBILITY

HYDRAULICS, HITCHES, PTO

A powerful pump delivers enough power for up to three mid hydraulic controls and the rear SCVs. Hook up whatever you need for the job: Ready to handle the heaviest of implements, the super robust rear hitch of the 5M has a maximum at-hooks lift capacity of 5,677 kg with the PowrQuad™ transmission. The 5M makes light work of heavy lifting.



SMALL CHANGE, BIG IMPROVEMENT

The magic that makes daily life easier is in the details. That's why we put the rear hitch and PTO control switches on the rear fender where they're easier to reach and designed a safety feature against unintended use.



The optional hydraulic trailer brake with 2 lines allows for transport speeds of up to 40 km/h with a trailer equipped with the new hydraulic trailer brake system, following the new regulation.

READY FOR ANYTHING

The SCV stack accommodates up to 3 rear SCVs, and we've made it easy to access by putting it between the rear hitch rails. The robust rear hitch of the 5M has a maximum at-hooks lift capacity of up to 4,326 kg on PowrReverser™ and 5,677 kg on PowrQuad™.



KNOW NO LIMITS

Its built-in front hitch significantly boosts the 5M's versatility, and the optional 1,000 rpm front PTO raises its capacity to operate heavier tools.

BUILT FOR BETTER ACCESS

EASY MAINTENANCE

Have you ever watched an F1 pit stop crew take only seconds for the essential repair and service tasks that will get the car back into the race? We designed our 5M for maintenance like that.

Easy access to tractor maintenance points even with loader mounted.



We made all service points accessible from ground level, put sight glasses into most fluid cases, and made sure that you can inspect and change engine air, cab fresh air and recirculation filters without tools. We also put maintenance-free bushings, bearings, and drive shafts wherever possible. So, while there may be no trophy at the end of your day, we promise that your pit stops will be fewer, shorter, and your time in the field longer.



POWERGARD™

STATUS: PROTECTED



When you protect your equipment with a PowerGard™ Protection plan¹, your business gains the steady machine uptime and nonstop peak performance it needs to thrive.

A PowerGard™ Protection plan¹ covers the components that put power to the ground. Take that coverage even further with a PowerGard™ Protection Plus plan to add engine auxiliaries, electrical system, hydraulic system, and operator's station to the coverage.

PowerGard™ agreements protect you against unexpected repair costs and keep your maintenance on track with genuine parts. Three fixed rate packages provide increasingly comprehensive levels of cover to keep your machine running at peak performance with steady uptime.

**UP TO
5 YEARS / 5,000 HOURS**

100%

**REPAIR COST
CONTROL**

0%

**REPAIR COST
INFLATION**

HIGHER

RESALE VALUE

UPTIME

IN THE FIELD

¹At participating dealers only. Requires a maintenance plan.

SPECIFICATIONS

	5075M	5095M	5105M	5120M	5130M
ENGINE PERFORMANCE					
Rated power (97/68EC), hp (kW)	75 (55)	95 (69)	105 (77)	120 (88)	130 (95)
Max. power (97/68EC) hp (kW)	75 (55)	100 (74)	110 (81)	125 (92)	135 (99)
Torque reserve, % percentage	27			30	
Maximum torque, Nm (at 1,600 engine rpm)	304	396	437	500	541
Rated Speed (rpm)			2,200		
Manufacturer	John Deere Power Systems				
Type	PowerTech™ E	PowerTech™ PWS			
Aftertreatment	EGR – DOC – DPF	EGR – DOC – DPF – SCR			
Aspiration	Single turbocharger with wastegate				
Cylinders / Displacement	3 / 2.9 l	4 / 4.5 l			
Valves per cylinder	2	4			
Service intervals (hours)	500 h				
TRANSMISSION					
POWRREVERSER™					
16/16 – 2.0 - 40 km/h	■	■	■	■	–
POWRREVERSER™ HILO					
32/16 – 2.0 - 40 km/h	■	■	■	■	–
Creeper option, Min Speed: 0.3 km/h	■	■	■	■	–
POWRQUAD PLUS™					
16/16 – 2.0 - 40 km/h	–	■	■	■	■
Creeper option, Min Speed: 0.3 km/h	–	■	■	■	■
POWR8™					
32/16 – 2.0 - 40 km/h ECOSHIFT	–	■	■	■	■
Creeper option, Min Speed: 0.3 km/h	–	■	■	■	■
AXLES					
Front axle	MFWD				
Front differential lock	Limit slip differential				
Rear axle	Flange axle				
Rear differential lock	Electro-hydraulically operated				
HYDRAULIC SYSTEM					
Type	Open Center				
Steering pump rated output (l/min)	24				
Standard pump rated output (l/min)	70	70 (PowrReverser™) / 73 (PowrQuad™/Powr8™)			73
Selective Control Valves	Up to 3 rear + 3 mid, mechanical				
3-POINT HITCH – REAR					
Category	II				
Mechanical Hitch Control (PowrReverser only)	■	■	■	■	–
MHC Maximum lift capacity at hooks, kg (base/option)	3,236 / 4,109				–
MHC Lift capacity through full lift range (OECD 610 mm), kg (base/option)	2,565 / 2,223				–
Electronic Hitch Control	■	■	■	■	■
EHC Maximum lift capacity at hooks, kg (base/option)	3,704 / 4,326	3,704 / 4,326 (PowrReverser™) - 5,045 / 5,677 (PowrQuad™/Powr8™)			5,045 / 5,677
EHC Lift capacity through full lift range (OECD 610 mm), kg (base/option)	2,340 / 2,701	2,340 / 2,701 (PowrReverser™) - 3,164 / 3,569 (PowrQuad™/Powr8™)			3,164 / 3,569
3-POINT HITCH – FRONT, OPTIONAL					
Type	Front hitch controlled by rear SCV				
Category	II				
Maximum lift capacity at hooks, kg	2,875				
Lift capacity through full lift range at the hooks, kg	1,440				

	5075M	5095M	5105M	5120M	5130M
REAR PTO					
Type	Electro-hydraulically engaged				
Standard	540 / 540E (PowrReverser™ only) or 540 / 540E / 1000				540 / 540E / 1000
FRONT PTO, OPTIONAL					
Type (Cab only)	Electro-hydraulically engaged				
Engine speed at rated PTO speed (1,000), rpm	2,000				
OPERATOR STATION					
Open Operator Station	–	PowrReverser only			–
Cab	Air conditioning in base				
Driver seat	Mechanical or air suspension				
Passenger seat	In base (Cab only)				
Display	Analog	Analog (PowrReverser™) / PDU+ integrated in dashboard (PowrQuad™/Powr8™)			PDU+
Work lights – Front / Rear	4 front / 4 rear (2 side optional)				
LED work lights and headlights	Optional				
LED beacon light	Optional				
Panorama roof	Optional				
MISCELLANEOUS					
JDLINK™ Modem	In base				
AutoTrac™ Ready	–	Optional (PowrQuad™/Powr8™ only)			
ISOBUS implement connection	–	Optional (PowrQuad™/Powr8™ only)			
Hydraulic trailer brake 2 line system	Optional				
Pneumatic trailer brake 2 line system	Optional (Cab only)				
CAPACITIES					
Fuel tank capacity (l)	191 (Cab)	143 (OOS), 159 (Cab)			159 (Cab)
DEF tank capacity (l)	–	12			
DIMENSIONS					
Wheelbase (mm)	2,350				
Front tread setting (mm)	1,451-2,005				
Rear tread setting (mm)	1,660-1,907				
Turning radius without brakes (m)	4.1				
Min. overall width (mm)	1,880				
Ground clearance front (mm)	435				
Total height with cab (mm)	2,640				
Total height with folded roll-over frame (mm)	–	2,030			–
Minimum Shipping weight (kg)	4,175 (Cab)	3,975 (OOS), 4,175 (Cab), 4,400 (PowrQuad™/Powr8™)			4,400
Maximum permissible gross weight (kg)	7,500	7,500 (PowrReverser™) / 8,200 (PowrQuad™/Powr8™)			8,200
TYRE SIZES					
Front tyre sizes, max. available (diameter in cm)	480/65R24 (126)				
Rear tyre sizes, max. available (diameter in cm)	540/65R38 (168)				

LOADER SPECIFICATIONS

5M				5075/5095/5105/5120/5130M			
LOADER MODEL				543M		603M	
LEVELING SYSTEM				MSL		MSL	
Front tyre				575/13.6R24			
Rear tyre				750/16.9R34			
Wheelbase		(WB)	in / mm	92.5 / 2,350			
Pump capacity			gpm / lpm	19 / 70			
Rated pressure			psi / BAR	2,900 / 200			
LOADER							
Bucket				1850 Standard Bucket			
Bucket weight			lb / kg	475	216	475	216
Lift capacity @ full height	Measured @ pivot	(U)	lb / kg	3,025	1,372	3,309	1,501
	Measured @ 800 mm ahead of pivot	(V)	lb / kg	3,199	1,451	3,600	1,633
Lift capacity @ 59 in (1.5 m) lift height	Measured @ pivot	(W)	lb / kg	3,327	1,509	3,732	1,693
	Measured @ 800 mm ahead of pivot	(X)	lb / kg	3,172	1,439	3,571	1,620
Boom breakout	Measured @ pivot	(Y)	lb / kg	3,799	1,723	4,248	1,927
	Measured @ 800 mm ahead of pivot	(Z)	lb / kg	3,219	1,460	3,726	1,690
Bucket rollback force	@ Maximum height	(VV)	lb / kg	3,448	1,564	3,823	1,734
	@ 59 in (1.5 m) Lift height	(XX)	lb / kg	6,038	2,739	6,400	2,903
	@ Ground level	(ZZ)	lb / kg	6,023	2,732	6,563	2,977
Maximum lift height		(A)	in / mm	145	3,680	148	3,753
Clearance	@ Full height – bucket level	(B)	in / mm	135	3,417	137	3,490
	@ Full height – bucket dumped	(C)	in / mm	104	2,647	107	2,722
Overall length		(WB+F)	in / mm	187	4,739	200	5,070
Digging depth		(H)	in / mm	-3	-75	-9	-235
Reach	@ Maximum height	(D)	in / mm	26	651	39	995
	@ Ground – bucket level	(F)	in / mm	98	2,489	109	2,770
Bucket angles	Dump angle @ full height	(E)	degrees	-60		-60	
	Rollback @ ground	(G)	degrees	48		49	
	Dump angle @ ground		degrees	-98		-98	
Cycle times @2200 rpm	Loader raise		sec	6.0		3.8	
	Loader lower		sec	4.4		2.5	
	Bucket dump		sec	6.0		3.5	
	Bucket rollback		sec	7.5		4.2	

Actual specs may vary depending on tractor and loader equipment and configuration.



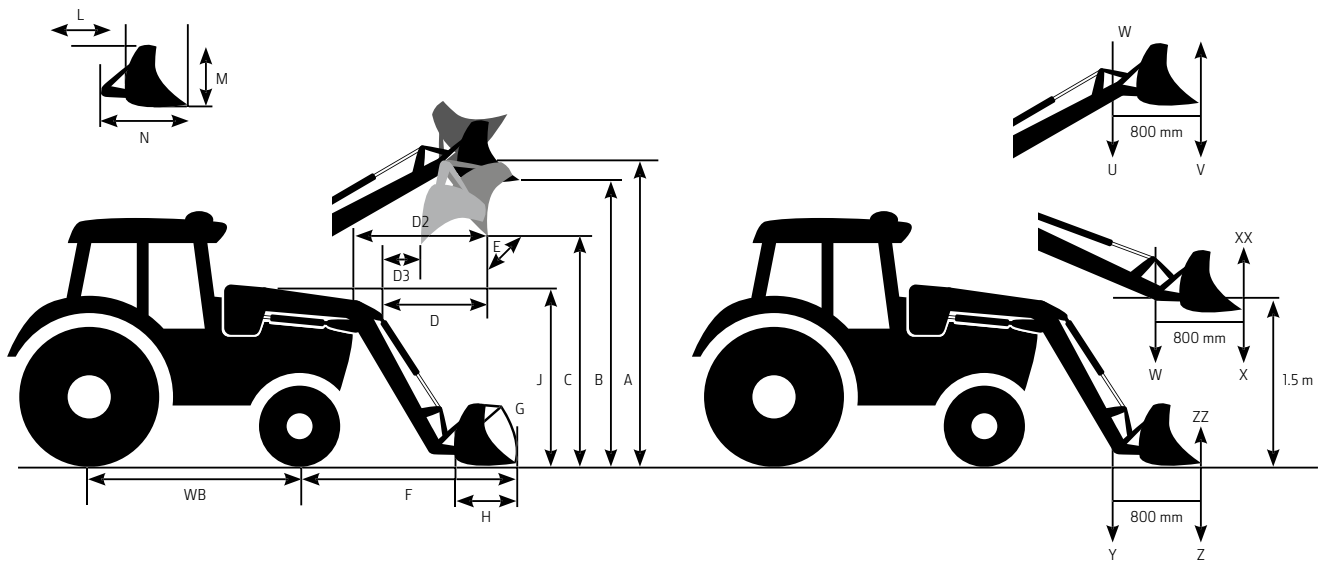
The American Society of Agricultural and Biological Engineers is an educational and scientific organization dedicated to the advancement of engineering applicable to agricultural, food, and biological systems. Founded in 1907 and headquartered in St. Joseph, Michigan, ASABE comprises 8,000 members in more than 100 countries.

5075/5095/5105/5120/5130M

543R		603R	
	NSL	MSL	MSL
(WB)	575/13.6R24		
	750/16.9R34		
	92.5 / 2,350		
	19 / 70		
	2,900 / 200		

1850 Heavy Duty

	600	272	600	272	600	272	600	272
(U)	4,542	2,060	3,739	1,696	4,780	2,168	3,957	1,795
(V)	2,943	1,335	3,774	1,712	3,238	1,489	3,986	1,808
(W)	4,872	2,210	4,597	2,085	5,265	2,388	4,879	2,213
(X)	3,642	1,652	4,284	1,943	4,039	1,832	4,579	2,077
(Y)	4,248	1,927	4,248	1,927	4,248	1,927	4,248	1,927
(Z)	3,560	1,615	4,616	2,094	4,180	1,896	4,960	2,250
(VV)	3,635	1,649	3,750	1,701	5,139	2,331	5,287	2,398
(XX)	5,977	2,711	6,021	2,731	8,913	4,043	8,510	3,860
(ZZ)	5,655	2,565	5,668	2,571	9,237	4,190	8,466	3,840
(A)	145	3,680	145	3,681	148	3,760	148	3,762
(B)	135	3,440	136	3,442	139	3,520	139	3,522
(C)	105	2,676	105	2,678	108	2,750	108	2,751
(WB+F)	183	4,651	183	4,650	196	4,988	196	4,988
(H)	-4	-104	-4	-101	-9	-228	-9	-227
(D)	31	798	31	795	42	1,070	42	1,069
(F)	93	2,351	93	2,350	106	2,688	106	2,688
(E)	-58		-58		-58		-54	
(G)	47		47		47		52	
	-151		-100		-100		-99	
	4.4		4.0		4.0		4.7	
	3.3		2.9		2.9		3.5	
	3.3		2.2		2.2		3.0	
	2.2		2.2		2.2		3.0	



NOTHING RUNS LIKE A DEERE™

Whether you need us for advice, to solve a problem, or for a part – reach out, we'll be there. And we've got you covered with PowerGard™ maintenance plans that keep your tractor running great, within your budget.



This literature has been compiled for worldwide circulation. While general information, pictures and descriptions are provided, some illustrations and text may include finance, credit, insurance, product options and accessories not available in all regions. Please contact your local dealer for details. John Deere reserves the right to change specification and design of products described in this literature without notice. The green and yellow colour scheme, the leaping deer logo and the JOHN DEERE word mark are trademarks of Deere & Company.